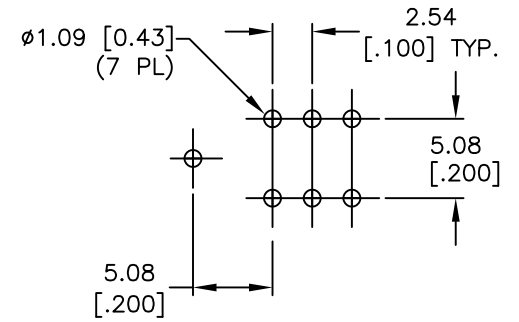
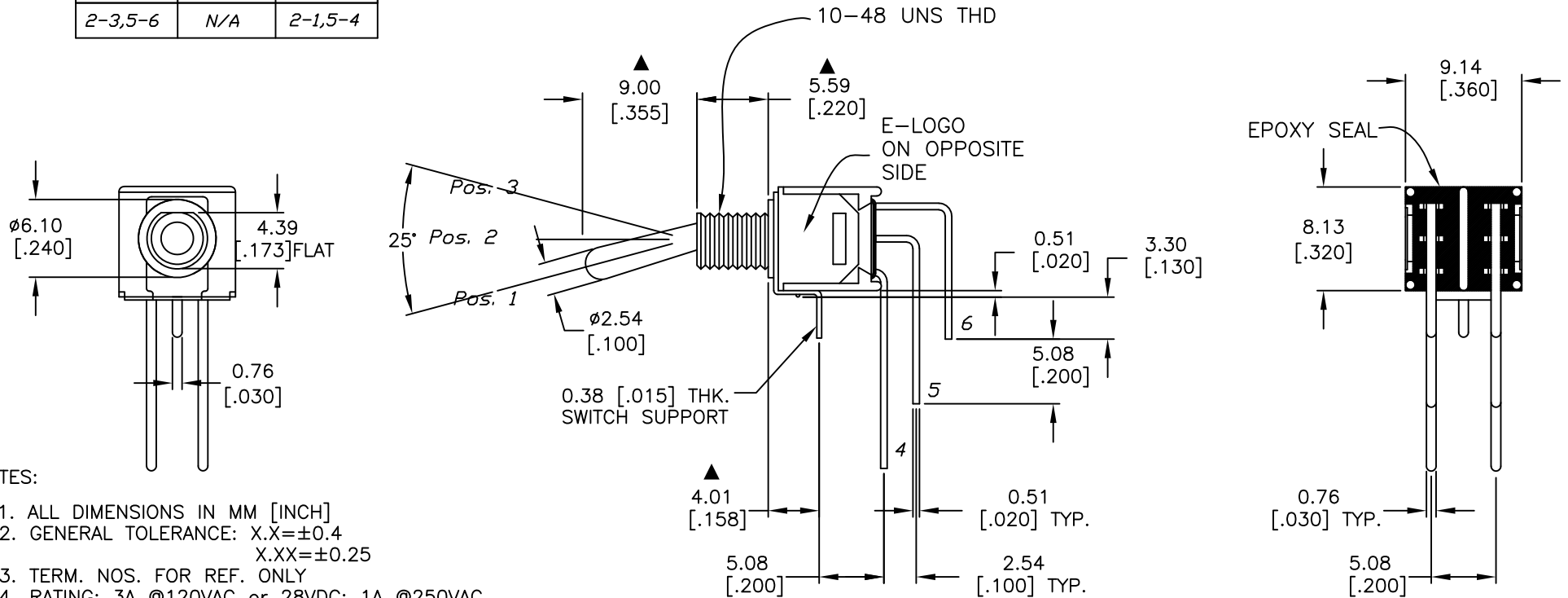


**CIRCUIT: DPDT
CONTACT CONFIGURATION**

SWITCH FUNCTION		
POS. 1	POS. 2	POS. 3
ON	NONE	ON
2-3,5-6	N/A	2-1,5-4



RECOMMENDED P.C.B. LAYOUT



NOTES:

1. ALL DIMENSIONS IN MM [INCH]
2. GENERAL TOLERANCE: X.X=±0.4
X.XX=±0.25
3. TERM. NOS. FOR REF. ONLY
4. RATING: 3A @120VAC or 28VDC; 1A @250VAC.
- ▲ 5. FIXED TERM. MOVING CONTACT:
Copper Alloy w/Silver plating
6. ELECTRICAL LIFE: 30,000 make-and-break cycle at full load.
7. DIELECTRIC STRENGTH: 1,000 V RMS @sea level.
8. CONTACT RESISTANCE: 20mILLI-Ohms max Initial @2-4VDC
9. OPERATING TEMP.: -30°C to 85°
10. ▲ DENOTES CRITICAL PARAMETER.



TITLE				
200MDP1T1B1M7QE				
SCALE	DATE	DR	DWG	REV
2:1	8/18/04	AR	T221054	C

C	23400	UPDATED THREAD 1/4-40 TO 10-48	6/11/18	MW
B	23347	UPDATED SWITCH FUNCTION POS 2	5/4/18	MJR
REV.	ECN No.	DESCRIPTION	DATE	CHKD

THE INFORMATION CONTAINED IN THIS DOCUMENT IS PROPRIETARY TO E-SWITCH AND IS NOT TO BE COPIED OR TRANSFERRED